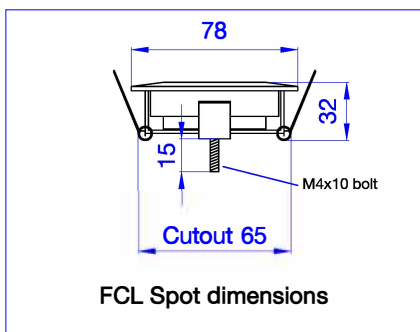
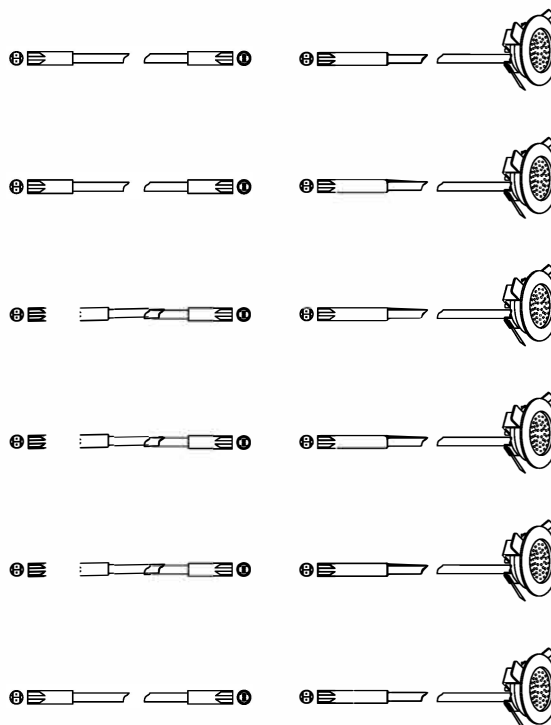


04.JBC.250.D6  
Cable length: 1m



FCL Spot dimensions



**OPTIONAL:**  
04.JBC.EXT.1M  
Cable length: 1m

04.FCL.76x.xx.xx.J09  
Cable length: 1m

04.EM12.12W.60M

**OPTIONAL:** emergency power supply

- 
- Max. 6 spots
- 

1 x FCL Spot 6hrs Emergency light  
2 x FCL Spot 3hrs Emergency light (UK Regulation)  
6 x FCL Spot 1hrs Emergency light (EN 81-20)

**Technical features**

Input voltage	200-240VAC	Spot power	3W	Cable length	1m
Max. output channel	6 channels	Spot lumen	300lm	Cable type	H03VVH2-F 2x0.75mm <sup>2</sup>
Max. current	2.5A	Spot housing material	Aluminium	Certification	CE, RoHS